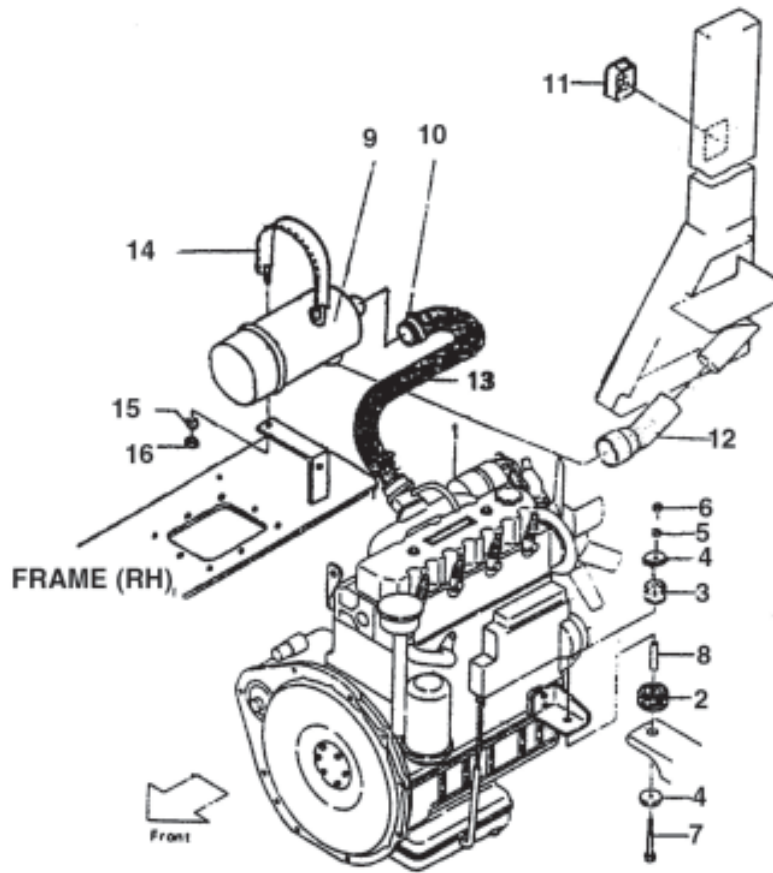


FIGURE NO. 1

ENGINE (DIESEL A490)





AF 20D, 30D

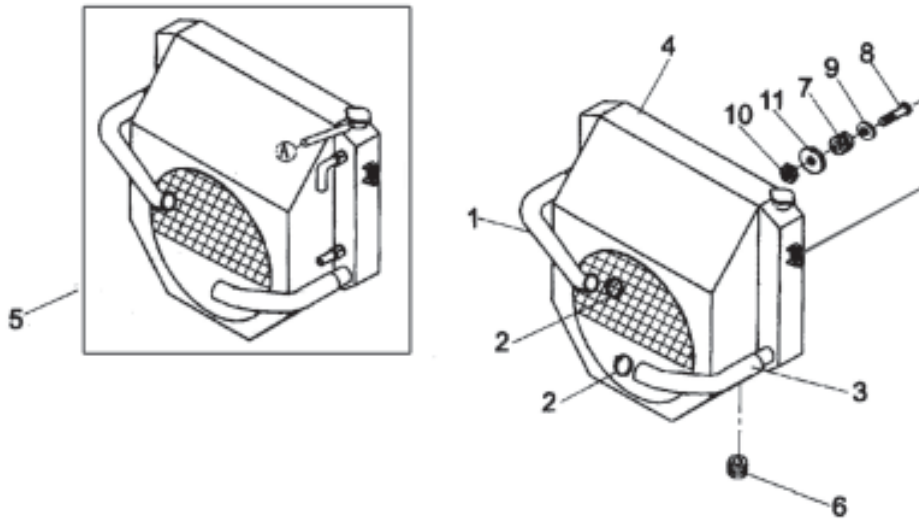
FIGURE NO. 1

ENGINE (DIESEL A490)

ITEM NO.	DESCRIPTION	PART NO.	QTY.	REMARKS
1.	A490-Engine	C0F010200100	1	
2.	Rubber	C0F012030100	2	
3.	Rubber	C0F012040100	2	
4.	Plate	C0F012010100	2	
5.	Washer	C0F012050100	2	
6.	M10 Nut	GB6184860000	2	
7.	M10x110 Bolt	GB5782860000	2	
8.	Collar	C0F012020100	1	
9.	Air Cleaner Assy (outer)	C0F010910100	1	
10.	φ 60 Hose Clamp		4	
11.	Cover	C0F012110100	1	
12.	Hose, intake	C0F012120100	1	
13.	Engine hose, intake	C0F012150100	1	
14.	Bracket, air cleaner	C0F0A0320100	1	
15.	Washer	GB9718500000	1	
16.	M8 Nut	GB6171860000	1	
17.	Air filter inner	KW1634X00000	1	
18.	Engine mounting rubber set of 4	C0F012030500	-	

FIGURE NO. 2

COOLING SYSTEM





AF 20D, 30D

FIGURE NO. 2

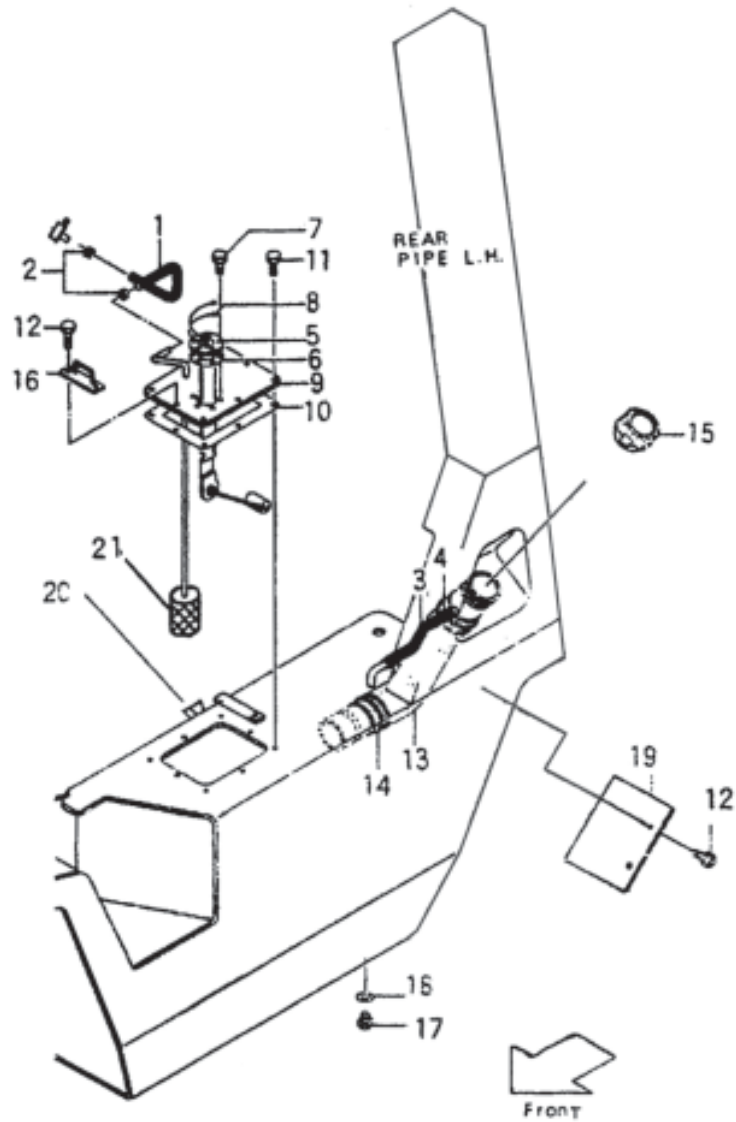
**COOLING SYSTEM**

ITEM NO.	DESCRIPTION	PART NO.	QTY.	REMARKS
1.	Hose upper	C0F012250100	1	Not supplied
2.	φ 45 Hose Clamp		4	
3.	Hose Lower	C0F012260100	1	
4.	Radiator (Manual)	C0F020510100	1	
5.	Radiator ( TC Transmission )	C0F010510100	1	
6.	Rubber	C0F012290100	2	
7.	Rubber	C0F012280100	2	
8.	Bolt	C0F012300100	2	
9.	Washer	C0F012310100	2	
10.	Nut	GB6184860000	2	
11.	Washer	GB9685000000	2	

★not serviced separately

FIGURE NO. 3

FUEL SYSTEM





AF 20D, 30D

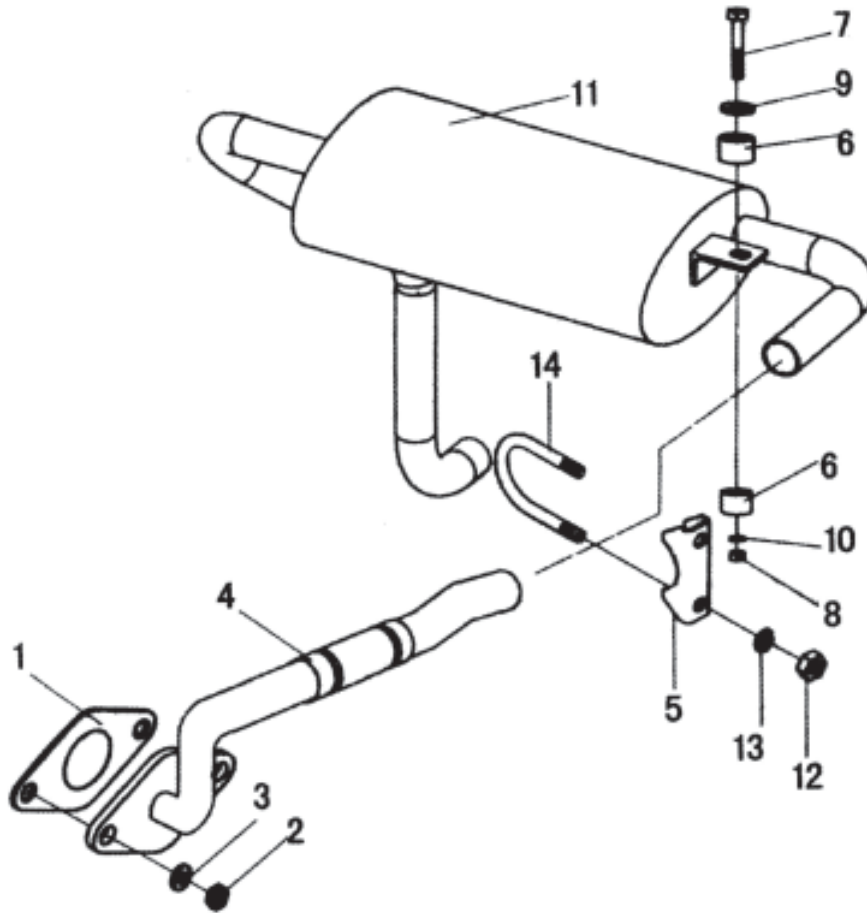
FIGURE NO. 3

FUEL SYSTEM

ITEM NO.	DESCRIPTION	PART NO.	QTY.	REMARKS
1.	Hose, Fuel	C0F012450100	1	
2.	φ 14 Clip		2	
3.	Tube	C0F012500100	1	
4.	φ 19 Clip	ZBT320051880	2	
5.	Gauge Fuel	C0F010640100	1	
6.	Packing	C0F012490100	1	
7.	M5 x 10 Bolt	GB5783860000	5	
	5 Washer	GB9387000000	5	
8.	Lead wire		1	
9.	Cover tank	C0F010650100	1	
10.	Gasket	C0F012400100	1	
11.	M8 x 12 Bolt	GB5783860000	65	
	φ 8 Washer	GB9387000000	6	
12.	M8 x 16 Bolt	GB5783860000	4	
	φ 8 Washer	GB9387000000	4	
13.	Hose	C0F012410100	1	
14.	φ 60 Clip	ZBT320051880	2	
15.	Cap fuel tank	C0F010610100	1	
16.	Hook	C0J010260100	1	
17.	Plug	C0F012430100	1	
18.	20 Washer	GB1002770000	1	
19.	Plate	C0F012420100	1	
20.	Bolt	C0F012440100	1	
21.	Fuel tank filter	C0F010620100	1	

FIGURE NO. 4

EXHAUST SYSTEM





AF 20D, 30D

FIGURE NO. 4

EXHAUST SYSTEM

ITEM NO.	DESCRIPTION	PART NO.	QTY.	REMARKS
1.	Gasket	C0F012600100	1	
2.	M10x1.25 Nut	GB6173860000	2	
3.	φ 10 Washer	GB9387000000	2	
4.	Pipe	C0F010410100	1	
5.	U-Clamp	C0F010420100	1	
6.	Rubber	C0F012220100	4	
7.	Bolt	C0F012230100	2	
8.	M8 Nut	GB6184860000	2	
9.	Washer	C0F012240100	2	
10.	φ 10 Washer	GB9718500000	2	
11.	Muffler (for AF 20D)	C0F010430100	1	
-	Muffler (for AF 30D)	C0F030410100	1	
12.	M8 Nut	GB6170860000	2	
13.	Washer, Lock	GB9387000000	2	
14.	U-Bolt	C0F012200100	1	

★not serviced separately

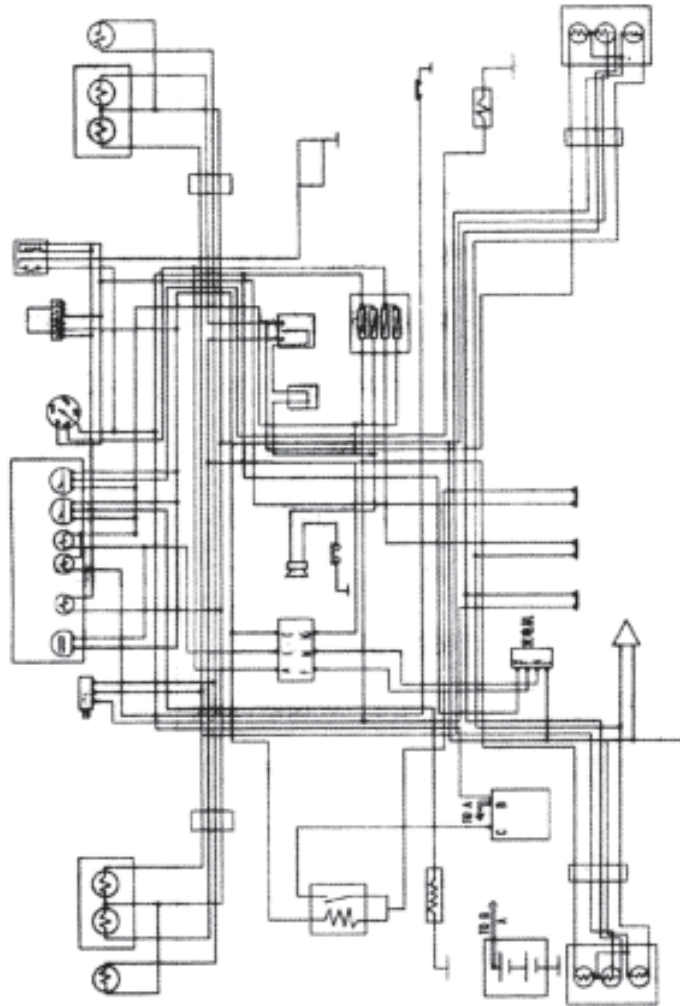
PAGE NO.

8



FIGURE NO. 5

ELECTRIC SYSTEM





AF 20D, 30D

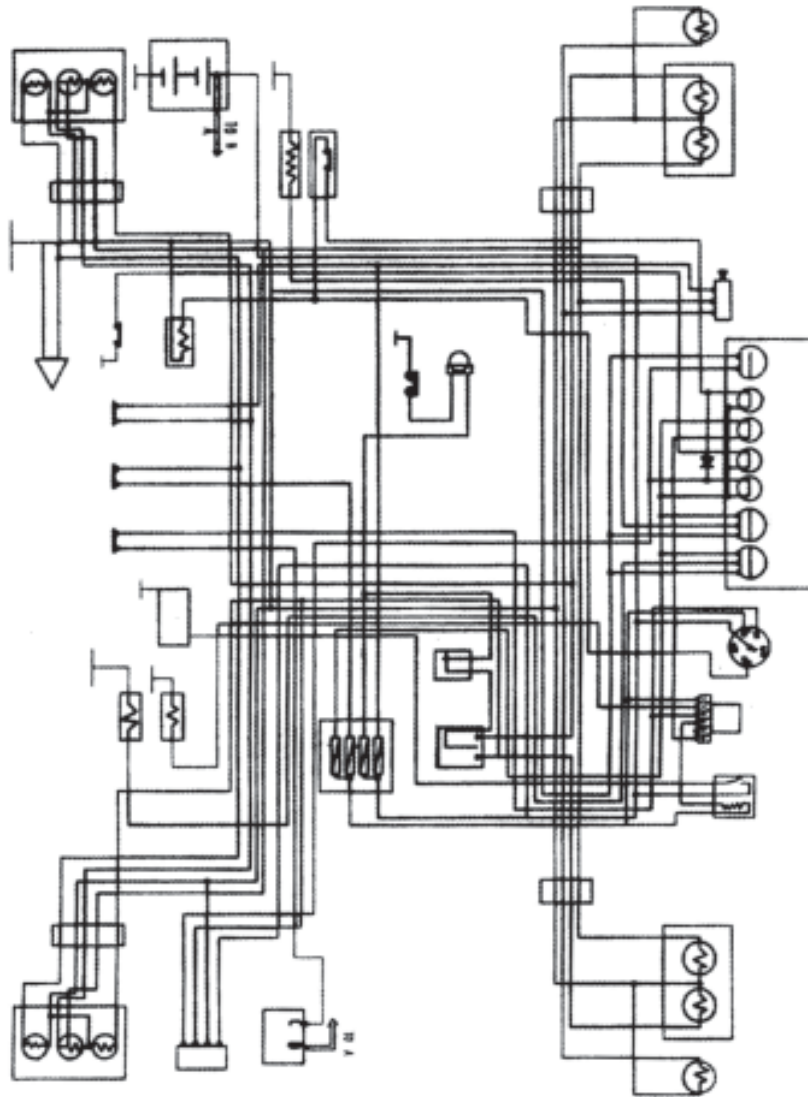
FIGURE NO. 5

ELECTRIC SYSTEM

ITEM NO.	DESCRIPTION	PART NO.	QTY.	REMARKS
1.	Engine Harness (TC Transmission)	C0D010210100	1	
-	Engine Harness (Manual Transmission)	C0D020210100	1	
2.	Cabinet Harness	C0D010220100	1	
3.	Cable, head-right lamp	C0D010230100	1	
4.	Cable, head-left lamp	C0D010240100	1	
5.	Rear, head guard harness	C0D010250100	2	
6.	Combination M/T	C0D010260100	1	
7.	Switch head lamp	JK1070000000	1	
8.	Watertemp sending unit	Z38000000000	1	
9.	Back buzzer	DJB128000000	1	
10.	M6 x 16 Bolt	GB6585000000	2	
11.	φ 6 Washer	GB9387000000	10	
12.	Cable	C0D010260100	1	
13.	Battery	6QW120000000	1	
14.	Cable	C0D010270100	1	
15.	Cable clip	C0D010280100	2	
16.	Fusible link wire	C0D010290100	2	
17.	Fuel level sending unit	8214B3000000	1	
18.	Relay	JQ10300412V0	2	
19.	Horn	SG152G000000	1	
20.	Switch, turn signal	JK411A000000	1	
21.	Head lamp Assy	WDX80FCIL12V	2	
22.	Front combination lamp Assy	XH81L0000000	2	
23.	Rear combination lamp Assy	ZHX220550000	2	
24.	Mat	C0D010300100	2	
25.	Brake Switch	JK205A000000	1	
26.	Flasher Unit	SG1520000000	1	
27.	Back Switch	JK611B000000	1	
28.	Relay	15S12V000000	1	
29.	Fuse Box	BX2051000000	1	
30.	Fuse 30A	30A100000000	1	
30A.	Fuse 10A	10A300000000	3	
31.	Regulator Relay	JF14714B0000	1	
32.	Key Switch	JK411A000000	1	
33.	φ 6 Washer	GB9718500000	10	
34.	M6 x 1 Bolt	GB6585000000	8	
35.	Belt Clip	C0D010300100	1	
36.	Neutral Switch	JK611B000000	1	

FIGURE NO. 6

ELECTRIC SYSTEM





AF 20D, 30D

FIGURE NO. 6

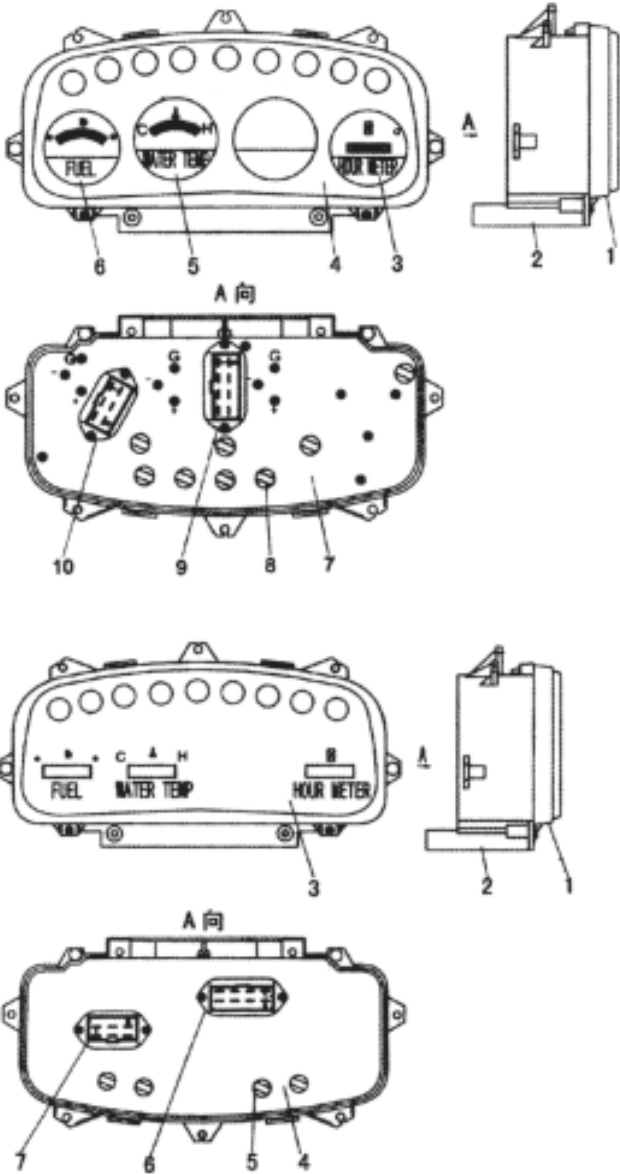
ELECTRIC SYSTEM

ITEM NO.	DESCRIPTION	PART NO.	QTY.	REMARKS
1.	Engine Harness (Manual Transmission)	C0D010410100	1	
-	Engine Harness (TC Transmission )	C0D020410100	1	
2.	Cabinet Harness	C0D010420100	1	
3.	Cable, head-right lamp	C0D010230100	1	
4.	Cable, head-left lamp	C0D010240100	1	
5.	Rear, head guard harness	C0D010250100	2	
6.	Combination M/T	C0D010260100	1	
7.	Switch	JK1070000000	1	
8.	Watertemp sending unit	Z38000000000	1	
9.	Back buzzer	DJB128000000	1	
10.	M6 x 16 Bolt	GB6585000000	2	
11.	φ 6 Washer	GB9387000000	10	
12.	Cable	C0D010460100	1	
13.	Battery	6QW120000000	1	
14.	Cable	C0D010470100	1	
15.	Cable clip	C0D010280100	2	
16.	Fusible link wire	C0D010290100	2	
17.	Fuel level sending unit	8214B3000000	1	
18.	Horn		1	
19.			1	
20.	Electrical control Box	Bx205200000	1	

★not serviced separately

FIGURE NO. 7

METER BOARD ASSY.





AF 20D, 30D

FIGURE NO. 7

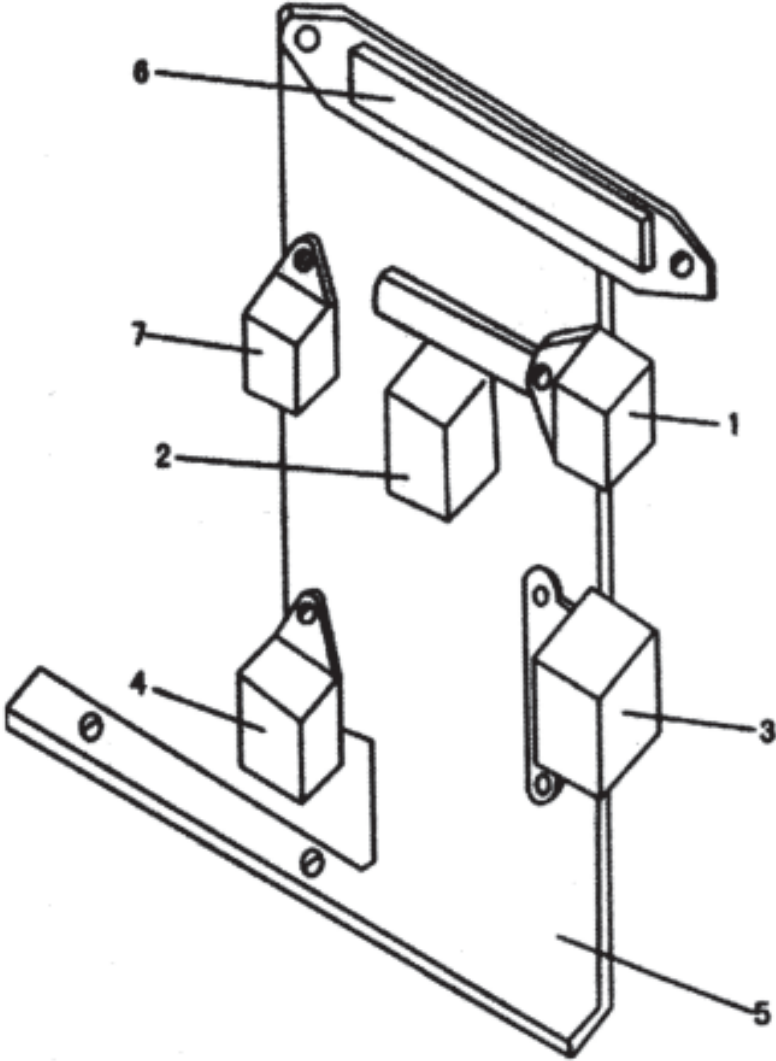
METER BOARD ASSY.

ITEM NO.	DESCRIPTION	PART NO.	QTY.	REMARKS
1.	Cover	C0D012300100	1	
2.	Shuck	C0D012310100	1	
3.	Stop Watch	C0D012320100	1	
4.	Front-panel	C0D012330100	1	
5.	Indicator temperature	C0D012340100	1	
6.	Indicator fuel	C0D012350100	1	
7.	Circuit board	C0D012360100	1	
8.	Bulb	PL1200000000	8	
9.	Jacket, 8-wire plug	DJ7082631100	1	
10.	Jacket, 6-wire plug	DJ7062631100	1	
11.	Meter Board Assy. (T.C.) JAC	C0D0123301A0	1	
12.	Meter Board Assy. (Manual) JAC	C0D0123301M0	1	
13.	Meter Board Assy. (vima)	C0D0123001V0	1	

★not serviced separately

FIGURE NO. 8

ELECTRIC ELEMENT MOUNT





AF 20D, 30D

FIGURE NO. 8

**ELECTRIC ELEMENT MOUNT**

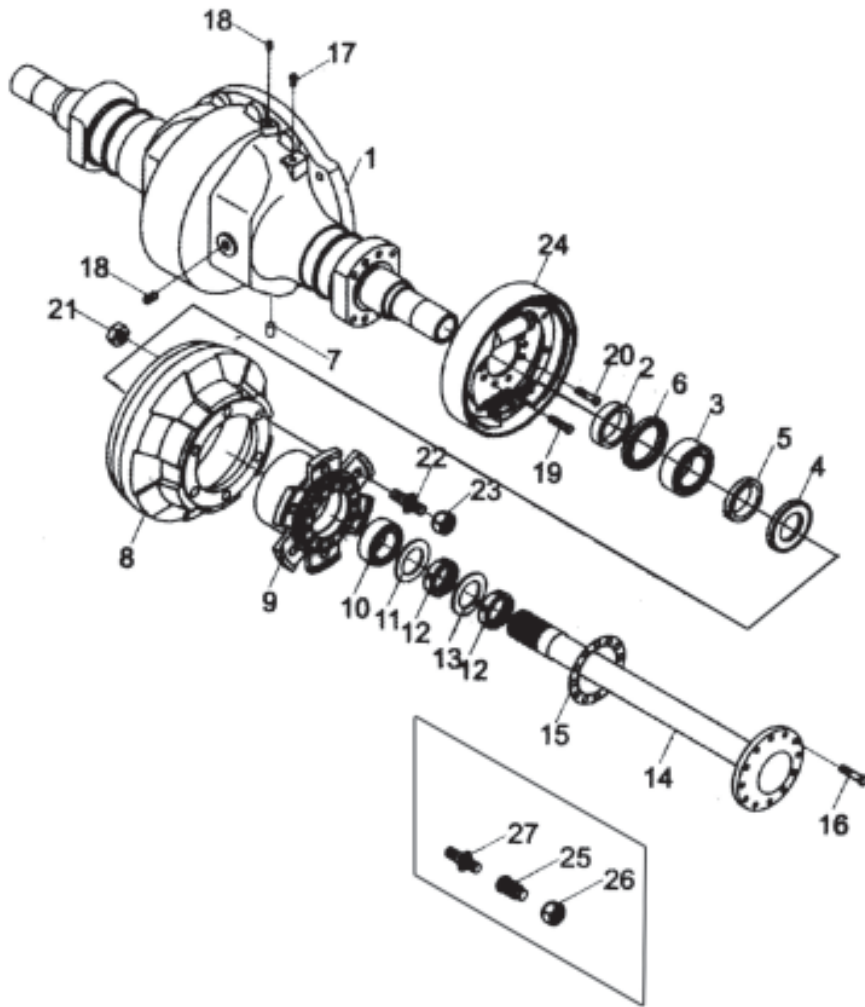
ITEM NO.	DESCRIPTION	PART NO.	QTY.	REMARKS
1.	Fuse Box	BX2051000000	1	
2.	Relay	JQ10300412V0	1	
3.	Startup relay	JQ10300412V0	1	
4.	Flasher unit	SG1520000000	1	
5.	Board, electric element	C0J012110100	1	
6.	Relay	JKQ1DC12V000	1	
7.	Adjustment Relay	JF14714B0000	1	
8.	Panel board electric	BX2052000000	1	

★not serviced separately



FIGURE NO. 9

DRIVE AXLE



**AF 20D, 30D**

**FIGURE NO. 8**

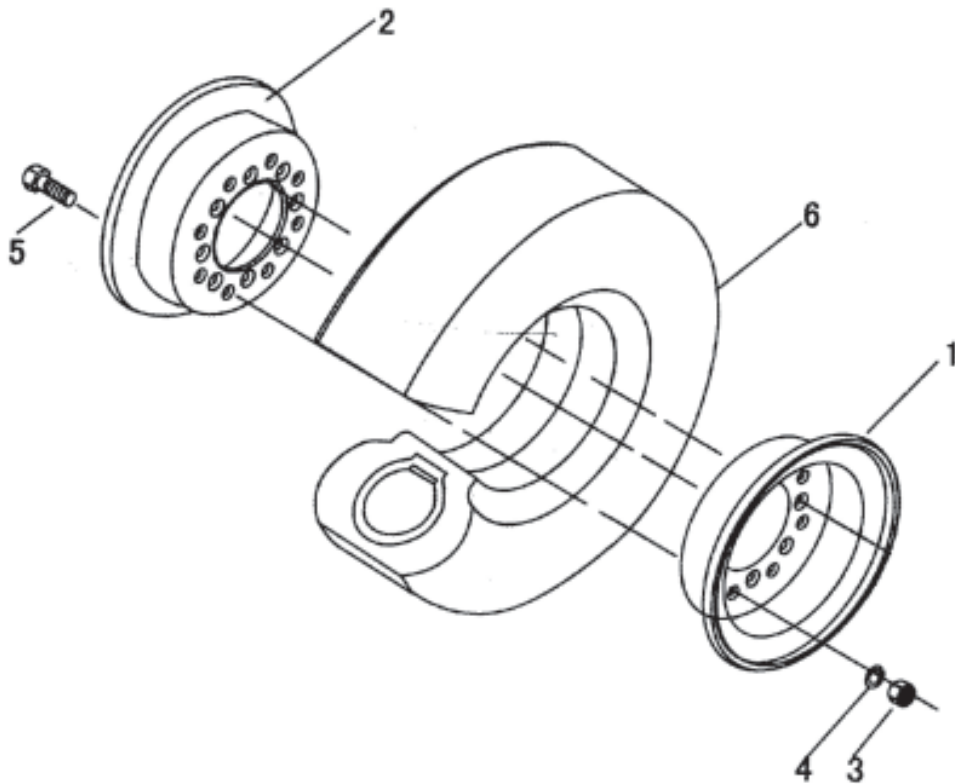
**DRIVE AXLE**

ITEM NO.	DESCRIPTION	PART NO.	QTY.	REMARKS
1.	Housing axle (For AF20D)	C0Q012120100	1	
--	Housing axle (For AF30D)	C0Q032120100	1	
2.	Retainer oil seal	C0Q012130100	2	
3.	SC100x125x12 Seal, Oil	GB9877188000	2	
4.	Retainer	C0Q012140100	2	
5.	Washer	C0Q012150100	2	
6.	7214E Bearing	GBT297940000	2	
7.	B10x30 Pin	GB1198600000	1	
8.	Drum, brake (For AF20D)	C0Q012090100	2	
--	Drum, brake(For AF30D)	C0Q032090100	2	
9.	Hub Front (For AF20D)	C0Q012060100	2	
--	Hub Front (For AF30D)	C0Q032060100	2	
10.	Seal, Oil	C0Q012040100	2	
--	33012A Bearing	GBT297940000	2	
11.	Packing	C0Q012020100	2	
12.	M60x2 Nut	GB8108800000	4	
13.	φ 60 Washer	GB8588800000	2	
14.	Shaft, drive (For AF20D)	C0Q012100100	2	
--	Shaft, drive (For AF30D)	C0Q032100100	2	
15.	Packing	C0Q012050100	2	
16.	Bolt	C0Q012010100	24	
17.	Breather air	Q900B0000000	1	
18.	Plug	Q61906000000	3	
19.	M14x1.5x40 Bolt	GB5786860000	12	
20.	Bolt	C0Q012160100	4	
21.	M20x1.5 Nut	GB6171860000	12	
22.	Bolt (For AF20D)	C0Q012080100	12	
--	Bolt (For AF30D)	C0Q032080100	12	
23.	Nut (For AF20D)	C0Q012070100	12	
--	Nut (For AF30D)	C0Q032070100	12	
24.	Wheel brake (For AF20D)	C0Q01SH00100	2	
--	Wheel brake (For AF30D)	C0Q03SH00100	2	
25.	Nut, hut	C0Q012170100	12	
26.	Nut, hut	C0Q012180100	12	
27.	Bolt, hut	C0Q012190100	12	

**FIGURE NO. 10**

**AF 20D**

**DRIVE WHEEL (2t)**



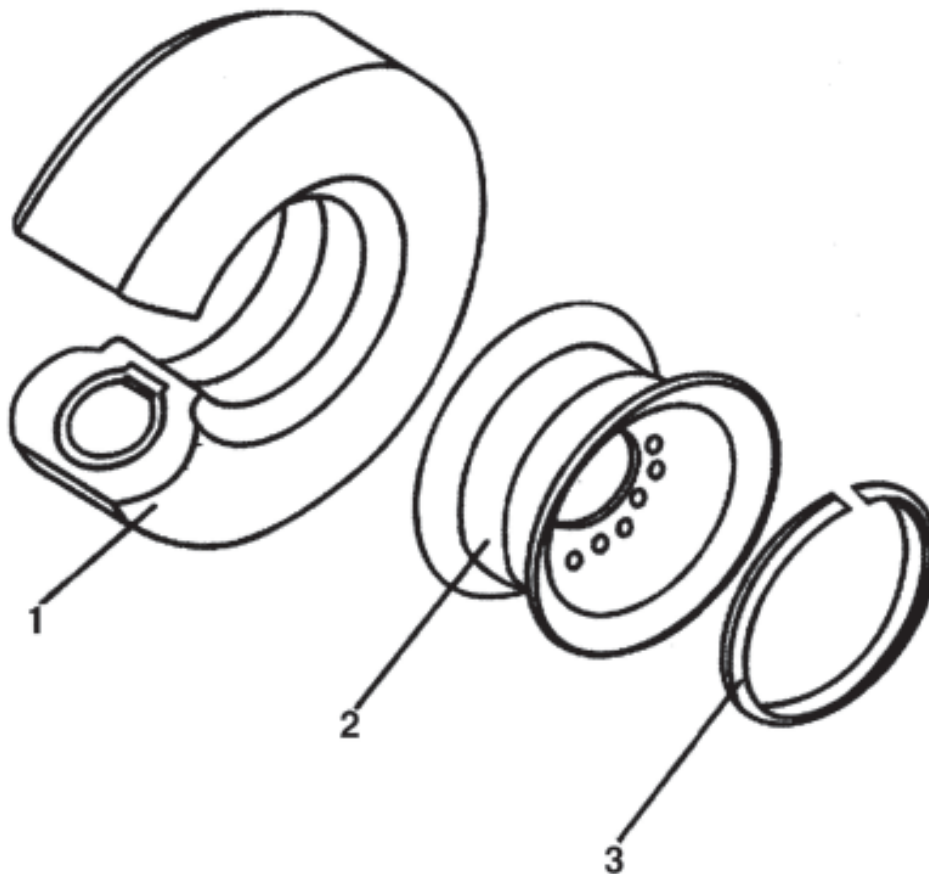
ITEM NO.	DESCRIPTION	PART NO.	QTY.	REMARKS
A	Front Wheel		2	
2.	1+2 Rim inside root side - 500x12	C0L012010100	1	
3.	M16 Nut★	GB6170860000	12	
4.	φ 16 Washer lock★	GB9387000000	12	
5.	M16x35 Bolt★	GB5782860000	12	
6.	Pneumatic tyre - 700x12	AFSPNS001200	2	Optional
6.	Solid tyre - 700x12	AFSPNS001700	2	

★not serviced separately

AF 30D

FIGURE NO. 11

DRIVE WHEEL (3t)

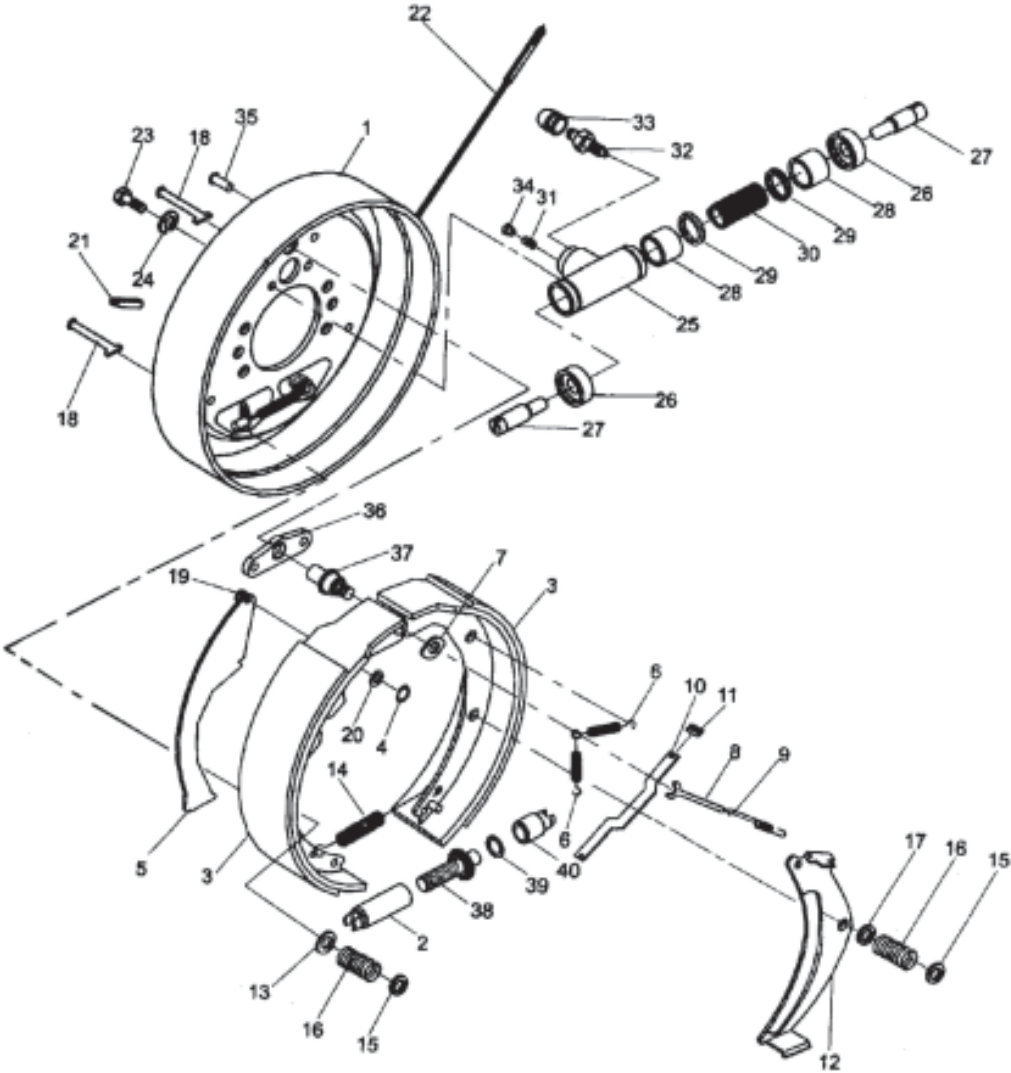


ITEM NO.	DESCRIPTION	PART NO.	QTY.	REMARKS
A	Front rim30D	160682300100	2	
1.	Solid tyre - 28x3x15 (8.15x15)	AFSPNS001500	2	28x9x15
1.1	Pneumatic tyre - 28x9x15	AFMFS0100200	2	
3.	Rim front with snap ring - 7.00x15	160682300100	2	

★not serviced separately

FIGURE NO. 12

WHEEL BRAKE (2t)





AF 20D

FIGURE NO. 12

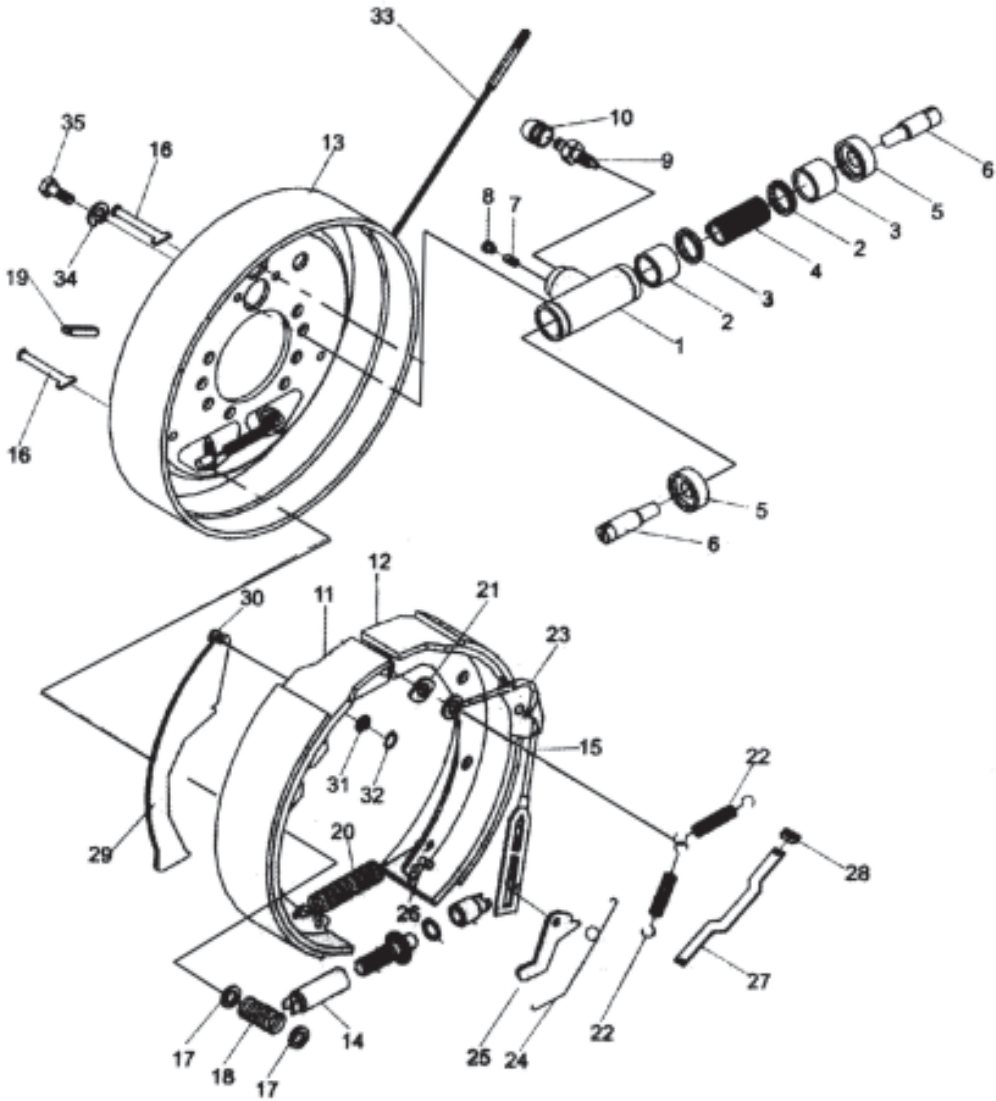
WHEEL BRAKE (2t)

ITEM NO.	DESCRIPTION	PART NO.	QTY.	REMARKS
A	Wheel brake	C0Q010200100	1	
--	Wheel brake	C0Q010210100	1	
1.	Back plate	C0Q010220100	1	
2.	Adjuster cover	C0Q012310100	1	
3.	Brake shoe	C0Q012320100	2	
4.	Washer spring	C0Q012330100	1	
5.	Lever LH brake	C0Q012340100	1	
6.	Spring shoe return	C0Q012350100	2	
7.	Plate shoe guide	C0Q012360100	1	
8.	Stopper pole lever	C0Q012370100	1	
9.	Spring actuator	C0Q012380100	1	
10.	Strut	C0Q012390100	1	
11.	Spring	C0Q012400100	1	
12.	Lever LH pole	C0Q012410100	1	
13.	Washer cup	C0Q012420100	3	
14.	Spring	C0Q012430100	1	
15.	Washer, cup	C0Q012440100	4	
16.	Spring	C0Q012450100	4	
17.	Washer, cup	C0Q012460100	1	
18.	Pin, shoe hold	C0Q012470100	1	
19.	Pin lever	C0Q012480100	2	
20.	Shim	C0Q012490100	1	
21.	Plug rubber	C0Q012500100	1	
22.	Cable L.H	C0Q012510100	1	
--	Cable R.H	C0Q012520100	1	
23.	M8x16 Bolt	GB5783860000	2	
24.	φ 8, Washer lock	GB9387000000	2	
B	Wheel cylinder Assy	C0Q012550100	1	
25.	Body	C0Q012560100	1	
26.	Cover, dust	C0Q012570100	2	
27.	Rod, Piston	C0Q012580100	2	
28.	Piston	C0Q012590100	2	
29.	Cup Piston	C0Q012600100	2	
30.	Spring	C0Q012610100	1	
31.	Seat tube	C0Q012620100	1	
32.	Bleeding Screw	C0Q012630100	1	
33.	Cap, screw	C0Q012640100	1	
34.	Cap dust	C0Q012650100	1	
35.	Rivet	C0Q012660100	2	
36.	Plate	C0Q012670100	1	
37.	Pin Lever	C0Q012680100	1	
38.	Adjust bolt	C0Q012690100	1	
39.	φ 10 Washer	GB9387000000	1	
40.	Adjuster	C0Q012700100	1	
41.	Brake lining	C0Q012800BL0	4	

★not serviced separately

FIGURE NO. 13

WHEEL BRAKE (3t)





AF 30D

FIGURE NO. 13

WHEEL BRAKE (3t)

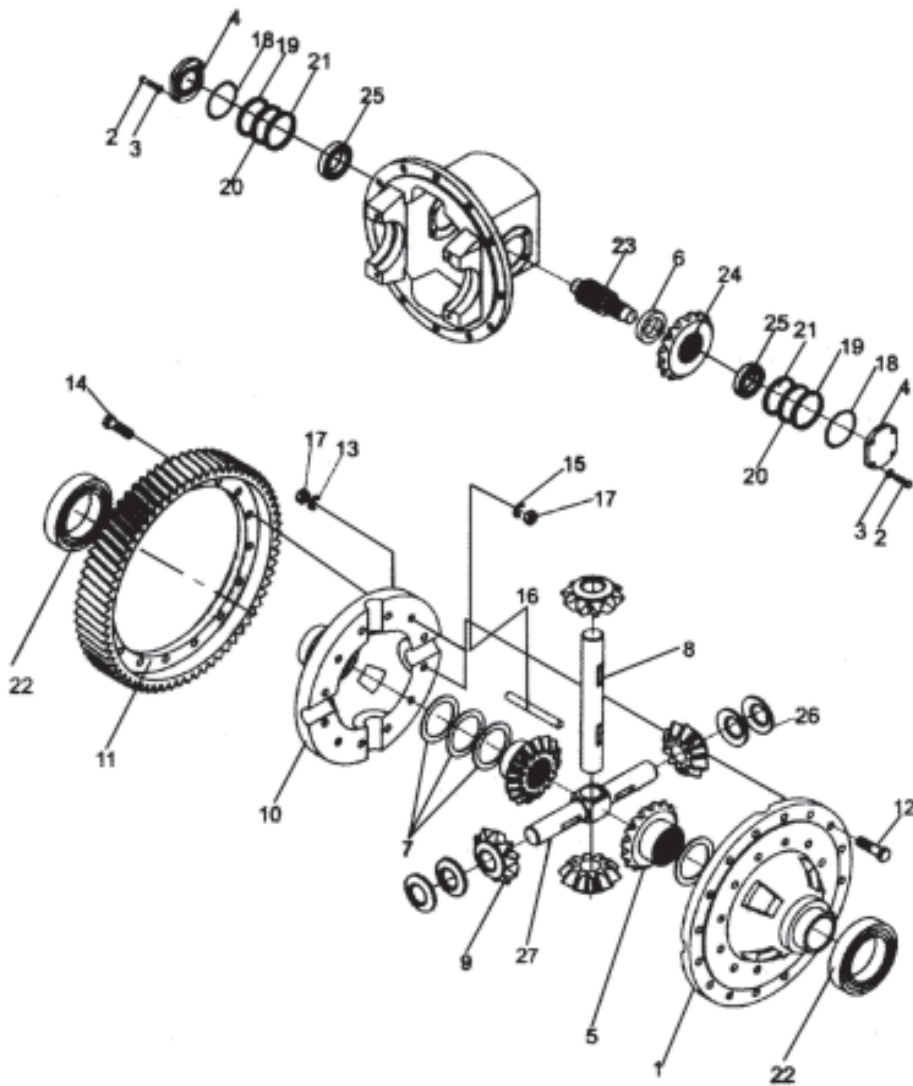
ITEM NO.	DESCRIPTION	PART NO.	QTY.	REMARKS
A	Wheel Brake	C0Q030200100	1	
--	Wheel Brake	C0Q030210100	1	
B	Wheel cylinder Assy	C0Q030210100	1	
1.	Cylinder ★	C0Q032310100	1	
2.	Piston ★	C0Q032320100	2	
3.	Cup, piston ★	C0Q032330100	2	
4.	Spring ★	C0Q032340100	1	
5.	Cover, dust ★	C0Q032350100	2	
6.	Rod, piston ★	C0Q032360100	2	
7.	Plug ★	C0Q032370100	1	
8.	Screw ★	C0Q032380100	1	
9.	Screw, breather ★	C0Q032390100	1	
10.	Cap, screw ★	C0Q032400100	1	
11.	Pin, shoe & lining Assy.	C0Q032410100	1	
12.	Pin, shoe & lining Assy.	C0Q032420100	1	
13.	Back plate ★	C0Q032430100	1	
14.	Clearance adjuster	C0Q032440100	1	
15.	Spring & Fitting Assy.	C0Q032450100	1	
16.	Pin, shoe hold down ★	C0Q032460100	2	
17.	Cup, shoe hold down ★	C0Q032470100	4	
18.	Spring, shoe hold down	C0Q032480100	2	
19.	Cover, adjusting hole	C0Q032490100	1	
20.	Spring shoe	C0Q032500100	1	
21.	Guide plate	C0Q032510100	1	
22.	Return spring, brake shoe	C0Q032520100	2	
23.	Guide, cable	C0Q032530100	1	
24.	Spring	C0Q032540100	1	
25.	Level	C0Q032550100	1	
26.	Pin	C0Q032560100	1	
27.	Strut L.H.	C0Q032570100	1	
28.	Spring	C0Q032580100	1	
29.	Rod ★	C0Q032590100	1	
30.	Pin	C0Q032600100	1	
31.	Washer, spring	C0Q032610100	1	
32.	Snap, ring, pin axle	C0Q032620100	1	
33.	Cable L.H	C0Q032630100	1	
--	Cable R.H	C0Q032640100	1	
34.	Washer ★	GB9387000000	2	
35.	M8x1.25x20 Bolt ★	GB5785860000	2	
36.	Wheel cylinder seal kit	C0Q030210200W	1	
37.	Brake lining assy.	C0Q0324000BL	4	

★not serviced separately



FIGURE NO. 14

DIFFERENTIAL





AF 20D, 30D

FIGURE NO. 14

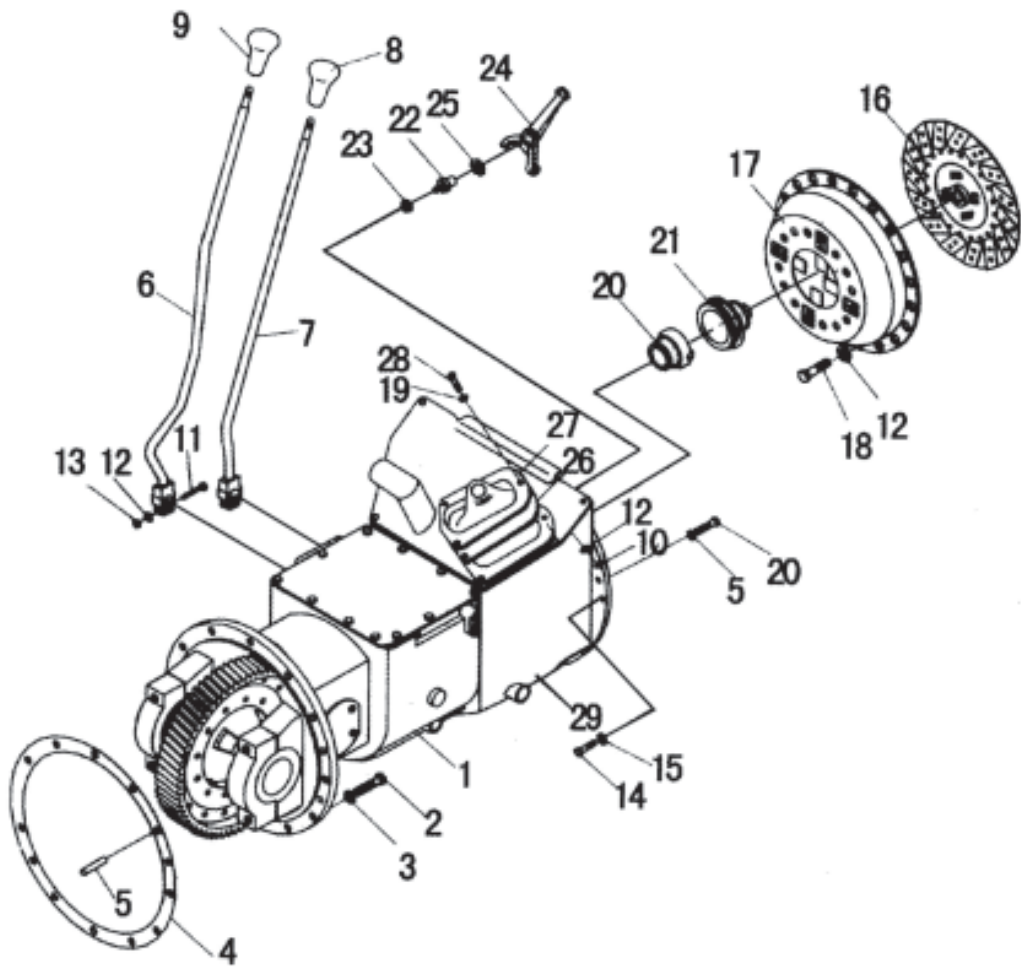
DIFFERENTIAL

ITEM NO.	DESCRIPTION	PART NO.	QTY.	REMARKS
A.	Comp differential assy.	C0C013100100	1	
1.	Case, cross L.H	C0C013110100	1	
2.	M10x1.25x25 Bolt	GB5786860000	8	
3.	φ 10 Washer	GB9387000000	8	
4.	Cover, Bearing	C0C013120100	2	
5.	Gear, Side	C0C013130100	2	
6.	Spacer	C0C013140100	1	
7.	Washer	C0C013150100	2	
--	Washer	C0C013160100	2	
--	Washer	C0C013170100	2	
8.	Shaft, Pinion	C0C013180100	1	
--	Shaft, Pinion	C0C013190100	1	
9.	Gear, Pinion	C0C013200100	4	
10.	Case, cross R.H	C0C013210100	1	
11.	Gear, ring	C0C013220100	1	
12.	Bolt	C0C013230100	12	
13.	Washer, lock	C0C013240100	8	
14.	Bolt	C0C013250100	16	
15.	Plate, lock	C0C013260100	8	
16.	6dx30 Pin parallel	GB1198600000	1	
17.	M10x1.25 Nut	GB6171860000	28	
18.	φ 75x3.1 O-ring	GB1235760000	2	
19.	Shim	C0C013270100	2	
20.	Shim	C0C013280100	4	
21.	Shim	C0C013290100	2	
22.	213 Bearing	GB2729300000	2	
23.	Shaft, final pinion gear	C0C013300100	1	
24.	Gear, spiral bevel	C0C013310100	1	
25.	7507 Bearing	GB2979400000	2	
26.	Washer thrust	C0C013320100	4	

★not serviced separately

FIGURE NO. 15

DRIVE UNIT MOUNT (MANUAL TRANSMISSION)





AF 20D, 30D

FIGURE NO. 15

DRIVE UNIT MOUNT (MANUAL TRANSMISSION)

ITEM NO.	DESCRIPTION	PART NO.	QTY.	REMARKS
A.	Mechanical transmission (manual)	C0C010300100	1	
1.	Drive unit	C0C010300100	1	
2.	Mx1.25x40-6g Bolt	GB5785860000	12	
3.	φ 12 Washer, lock	GB9387000000	12	
4.	Packing	C0Q012110100	1	
5.	Pin, parallel	GB1198600000	1	
6.	Lever, speed change	C0C010200100	1	
7.	Lever, direction change	C0C010210100	1	
8.	Knob, direction	C0C010230100	1	
9.	Knob, speed	C0C010220100	1	
10.	M8 Nut	GB4186000000	2	
11.	M8x35-6g Bolt	GB5782860000	2	
12.	φ 8 Washer, lock	GB9387000000	10	
13.	M8-6H Nut	GB6170860000	2	
14.	M10x50 Bolt	GB5782860000	9	
15.	φ 10 Washer	GB9387000000	9	
16.	Clutch disc Assy.	C0C010240100	1	
17.	Clutch cover	C0C010250100	1	
18.	M8x20 Bolt	GB5783860000	6	
19.	φ 8 Washer	GB9718500000	2	
20.	Retainer, bearing	C0C012070100	1	
21.	Bearing, thrust	968821100000	1	
22.	Pivot, clutch yoke	C0C012080100	1	
23.	M12x1.25 Nut	GB6171860000	1	
24.	Yoke, Clutch	C0C012090100	1	
25.	Snap, ring	C0C012100100	1	
26.	Cover dust	C0C012110100	1	
27.	Retainer, cover	C0C012120100	1	
28.	M8x16 Bolt	GB5783860000	2	
29.	Clutch housing	C0C012010100	1	
30.	M10x1.25x35	GB5785860000	1	

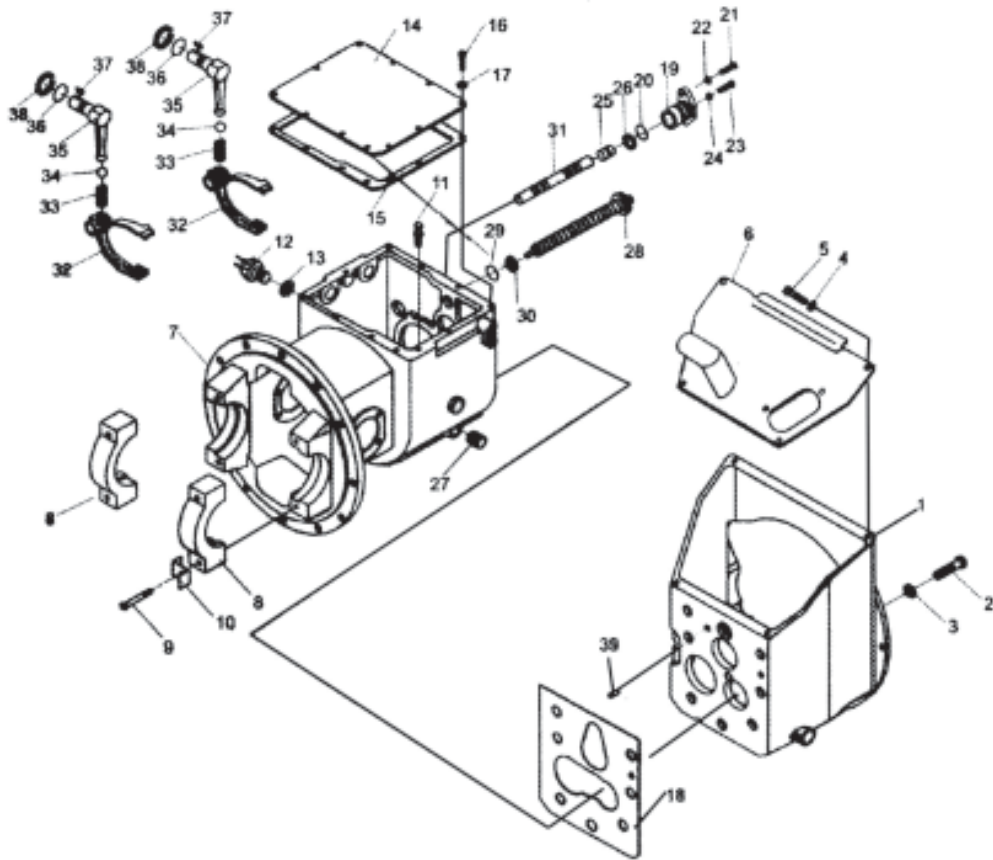
★not serviced separately

PAGE NO.

28

**FIGURE NO. 16**

**TRANSMISSION (MANUAL TRANSMISSION)**





AF 20D, 30D

FIGURE NO. 16

**TRANSMISSION (MANUAL TRANSMISSION)**

ITEM NO.	DESCRIPTION	PART NO.	QTY.	REMARKS
1.	Clutch housing	C0C012010100	1	
2.	M10x30 Bolt	GB5782860000	7	
3.	φ 10 Washer, lock	GB9387000000	7	
4.	φ 6 Washer, lock	GB9387000000	4	
5.	M6x16 Bolt	GB5782860000	4	
6.	Cover, case	C0C012050100	1	
7.	Case, transmission	C0C012310100	1	
8.	Cap, bearing	C0C012320100	2	
9.	Bolt	C0C012330100	4	
10.	Plate, lock	C0C012340100	4	
11.	Air Breather	C0C012350100	1	
12.	Switch, back-lamp	C0C012360100	1	
13.	Washer	C0C012370100	1	
14.	Case, cover	C0C012380100	1	
15.	Gasket, case cover	C0C012390100	1	
16.	M10x16 Bolt	GB5783860000	10	
17.	φ 10 Washer, lock	GB9387000000	17	
18.	Gasket, clutch housing	C0C012020100	1	
19.	Supporter, arm shaft	C0C012400100	1	
20.	φ 35x3.1 O-ring	GB1235760000	1	
21.	M8x20 Bolt	GB5783860000	1	
22.	φ 8 Washer, lock	GB9387000000	2	
23.	M10x45 Bolt	GB5783860000	1	
24.	M10 Nut	GB6170860000	1	
26.	φ 20x2.4 O-ring	GB1235760000	1	
27.	ZG1/2" Plug	C0C012420100	1	
28.	Bolt side	C0C012430100	1	
29.	φ 28x3.5 O-ring	GB1235760000	1	
30.	Washer	C0C012440100	1	
31.	Rod, shift	C0C012450100	1	
32.	Fork, shift	C0C012460100	2	
33.	Spring	C0C012470100	2	
34.	φ 10 Ball, steel	GB3088900000	2	
35.	Lever, shift	C0C012480100	2	
36.	φ 22x2.4 O-ring	GB1235760000	2	
37.	5x19 Key	GB1099790000	2	
38.	half round	GB8941860000	1	

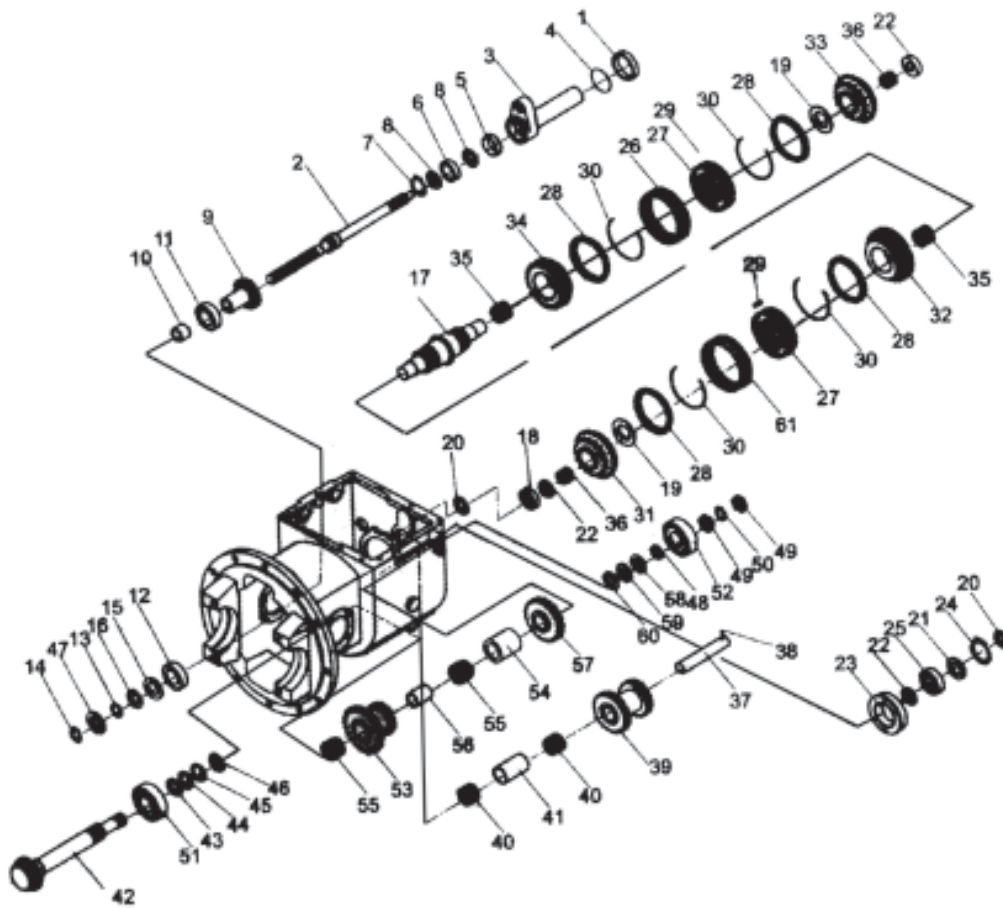
★not serviced separately

PAGE NO.

30

FIGURE NO. 17

TRANSMISSION (MANUAL TRANSMISSION)





AF 20D, 30D

FIGURE NO. 17

TRANSMISSION (MANUAL TRANSMISSION)

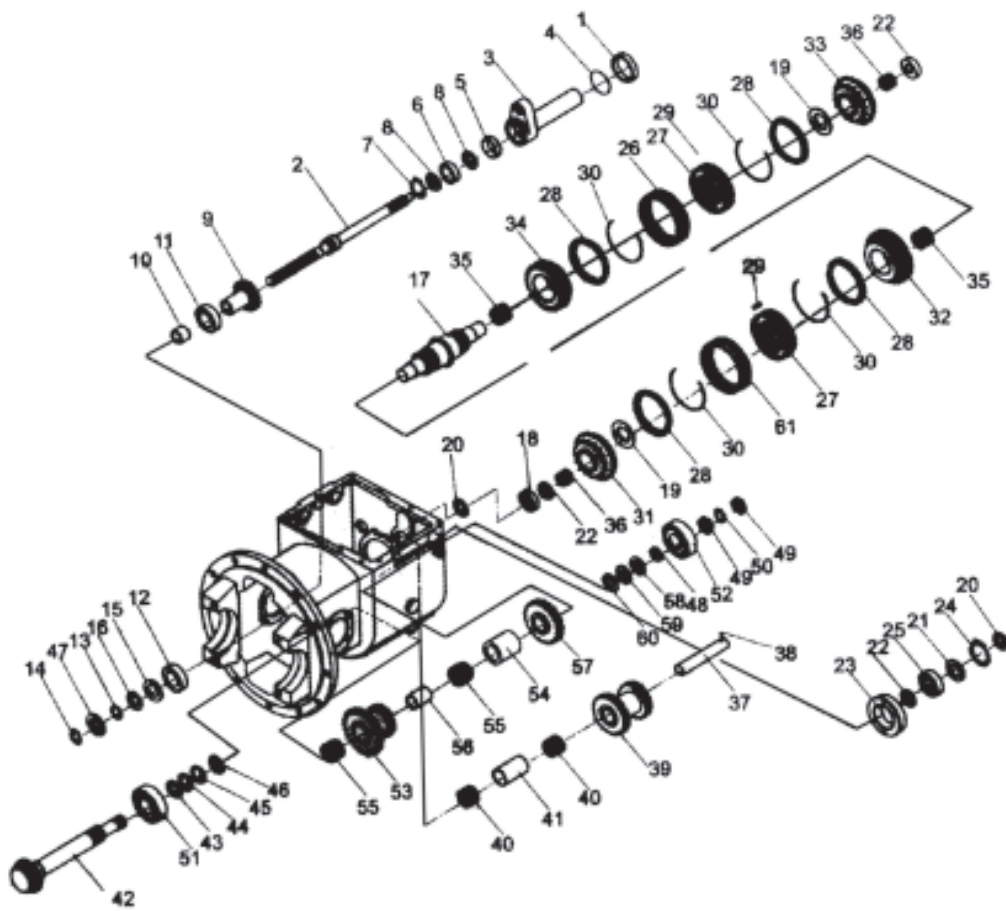
ITEM NO.	DESCRIPTION	PART NO.	QTY.	REMARKS
1.	Collar	C0C012510100	1	
2.	Shaft, main drive	C0C012520100	1	
3.	Retainer, bearing	C0C012530100	1	
4.	φ 42x3.5 O-ring	GB1235760000	1	
5.	Seal, oil	C0C012540100	1	
6.	105 Bearing, ball	GB2769400000	1	
7.	φ 47 snap ring	GB8932860000	1	
8.	φ 25 snap ring	GB8941860000	2	
9.	Gear, input	C0C012550100	1	
10.	Spacer	C0C012560100	1	
11.	207 Bearing, ball	GB2769400000	1	
12.	50207 Bearing, ball	GB2729300000	1	
13.	Spacer	C0C012570100	1	
14.	φ 35 Snap ring	GB8941860000	1	
15.	72/78.6 Ring, thrust	GB3058900000	1	
16.	Spacer	C0C012580100	1	
17.	Shaft, main	C0C012590100	1	
18.	42306 Bearing, ball	GB2838700000	1	
19.	φ 48 Snap ring	GB8941860000	2	
20.	φ 30 Snap ring	GB8941860000	2	
21.	Spacer	C0C012600100	1	
22.	Plate, thrust	C0C012610100	2	
23.	Retainer, bearing	C0C012620100	1	
24.	φ 72 Snap ring	GB8942860000	1	
25.	306 Bearing, ball	GB2769400000	1	
26.	Gear sleeve	C0C012630100	2	
27.	Gear hub	C0C012640100	2	
28.	Ring	C0C012650100	4	
29.	Spring	C0C012660100	6	
30.	insert	C0C012670100	4	

★not serviced separately



FIGURE NO. 17

TRANSMISSION (MANUAL TRANSMISSION)





AF 20D, 30D

FIGURE NO. 17

TRANSMISSION (MANUAL TRANSMISSION)

ITEM NO.	DESCRIPTION	PART NO.	QTY.	REMARKS
31.	Gear, high speed	C0C012680100	1	
32.	Gear, low speed	C0C012690100	1	
33.	Gear, forward	C0C012700100	1	
34.	Gear, reverse	C0C012710100	1	
35.	Bearing, needle	C0C012720100	2	
36.	Bearing, needle	C0C012730100	2	
37.	Shaft, reverse idler	C0C012740100	1	
38.	1/4" Ball, steel	GB3088900000	1	
39.	Gear, reverse idler	C0C012750100	1	
40.	Bearing, needle	C0C012760100	2	
41.	Spacer	C0C012770100	1	
42.	Shaft, output	C0C012780100	1	
43.	Shim	C0C012790100	1	
44.	Shim	C0C012800100	2	
45.	Shim	C0C012810100	2	
46.	Plate, thrust	C0C012820100	1	
47.	φ 80 Snap ring	GB8932860000	1	
48.	Ring	C0C012830100	1	
49.	M24x1.5 Nut	GB8128800000	2	
50.	φ 25 Washer thrust	GB8588800000	1	
51.	7508 Bearing taper roller	GB2979400000	1	
52.	7605 Bearing taper roller	GB2979400000	1	
53.	Gear, cluster	C0C012840100	1	
54.	Spacer	C0C012850100	1	
55.	Bearing, needle	C0C012860100	2	
56.	Spacer	C0C012870100	1	
57.	Gear, output	C0C012880100	1	
58.	Plate, thrust	C0C012890100		
59.	Plate, thrust	C0C012900100		
60.	Plate, thrust	C0C012910100		
61.	Gear sleeve	C0C012920100	1	

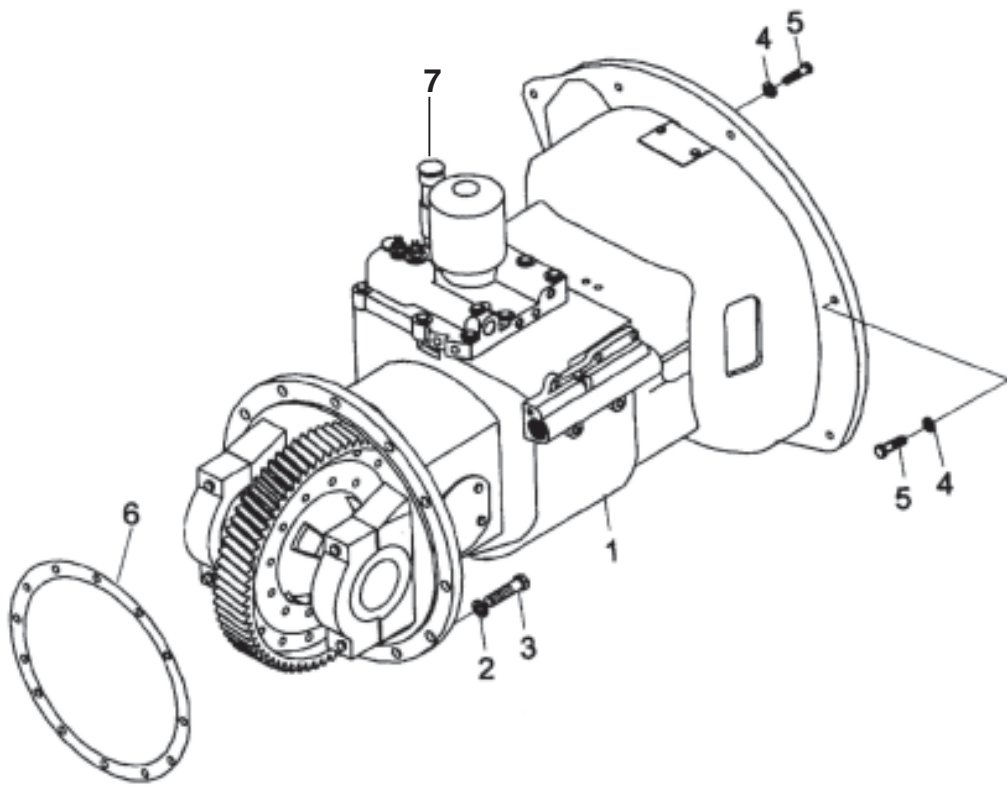
★not serviced separately

PAGE NO.

34

FIGURE NO. 18

DRIVE UNIT MOUNT (TC TRANSMISSION)





AF 20D, 30D

FIGURE NO. 18

**DRIVE UNIT MOUNT (TC TRANSMISSION)**

ITEM NO.	DESCRIPTION	PART NO.	QTY.	REMARKS
1.	Transmission assy.-Auto (T.C.)	COC020260100	1	
2.	φ 12 Washer	GB9387000000	12	
3.	M12x1.25x40-6g Bolt	GB5785860000	12	
4.	φ 10 Washer	GB9387000000	9	
5.	M10 x 35 Bolt	GB5780860000	9	
6.	Housing axle packing	COQ012110100	1	
7.	Dip stick assy.	COC028223200	1	
8.	Transmission kit (Seal ring - O ring)	COC020260200	1	

★not serviced separately





AF 20D, 30D

FIGURE NO. 19

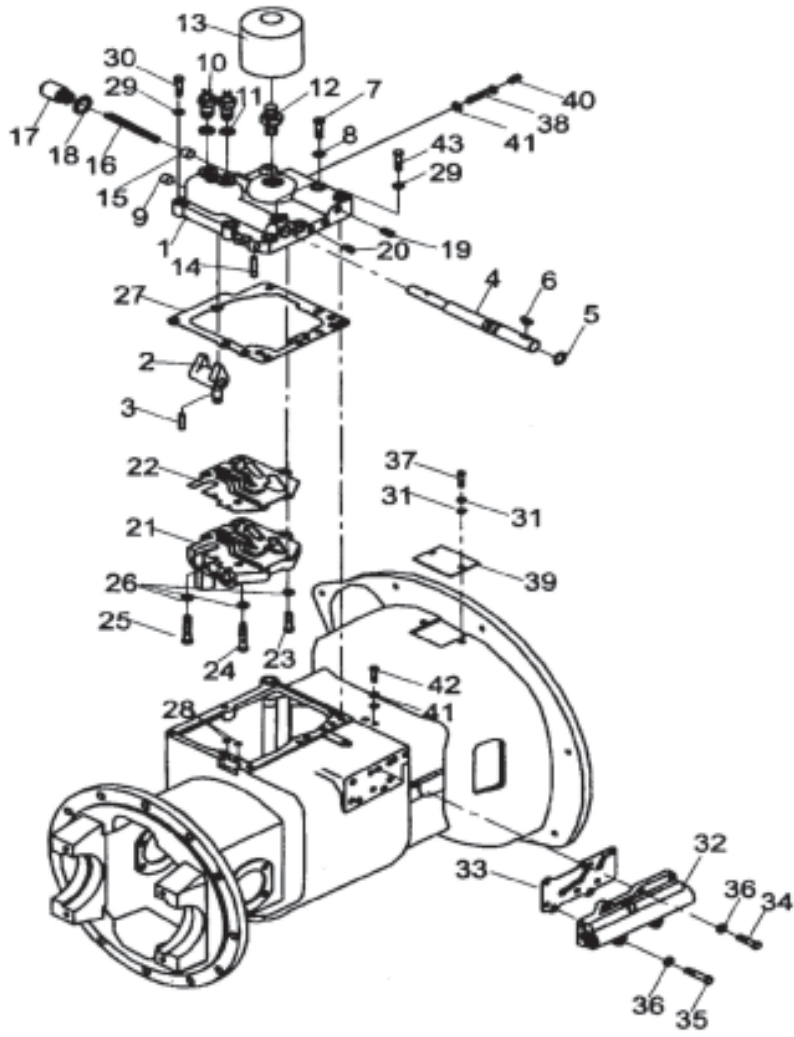
DRIVE UNIT MOUNT (TC TRANSMISSION)

ITEM NO.	DESCRIPTION	PART NO.	QTY.	REMARKS
1.	Case tor-con	C0C022200100	1	
2.	Cup	C0C022210100	1	
3.	1/2" Plug★	QZ2854000000	4	
4.	Tor-con Assy.	C0C020300100	1	
5.	Charging pump Assy.	C0C020310100	1	
6.	Gasket	C0C022220100	1	
7.	φ 35 Snap ring	GB8948600000	1	
8.	Strainer	C0C020320100	1	
9.	φ 35x3.5 O_ring	GB1235760000	1	
10.	1/4" Plug★	QZ2852000000	2	
11.	φ 28x3.5 O_ring	GB1235760000	1	
12.	Gasket	C0C022230100	1	
13.	M10x1.25x75 Bolt★	GB5785860000	1	
14.	M10x1.25x55 Bolt★	GB5785860000	3	
15.	M10x1.25x50 Bolt★	GB5785860000	1	
16.	M10x1.25x30 Bolt★	GB5785860000	4	
17.	φ 10 Washer★	GB9387000000	9	
18.	B12x20 Pin	GB1197600000	2	
19.	φ15x2.4O_ring★	GB1235760000	1	
20.	Case mission	C0C020330200	1	
21.	Cap, bearing	C0C022240100	2	
22.	Bolt	C0C022250100	4	
23.	Plate, lock	C0C022260100	4	
24.	Clutch hydraulic	C0C020330100	1	
25.	Shaft, idler	C0C020340100	1	
26.	206 Bearing	Gb2766400000	1	
27.	Gear, idler	C0C022701000	1	
28.	φ 24 Snap ring★	GB8938600000	2	
29.	207 Bearing	GB2766400000	2	
30.	Gear output	C0C022280100	1	
31.	Plate, bearing support	C0C022290100	1	
32.	Shim	C0C022300100		
--	Shim	C0C022310100		
--	Shim	C0C022320100		
33.	Shaft output	C0C022330100	1	
34.	27508 bearing	Z75080000000	2	
35.	7208 bearing	Z72080000000	1	
36.	Retainer, oil seal	C0C022340100	1	
37.	φ 80x3.1O_ring★	GB1235760000	1	
38.	Seal oil	C0C022350100	1	
39.	Nut	C0C022360100	1	

★not serviced separately

FIGURE NO. 20

DRIVE UNIT (COVER INCHING VALVE)



AF 20D, 30D

FIGURE NO. 20

## DRIVE UNIT (COVER-INCHING VALVE)

ITEM NO.	DESCRIPTION	PART NO.	QTY.	REMARKS
1.	Cover	C0C020400100	1	
2.	Arm, shift	C0C020410100	1	
3.	6x32 pin, lock	GB8797600000	1	
4.	Shaft, shift arm	C0C022500100	1	
5.	φ 20x2.4O_ring	GB1236760000	1	
6.	Key 5x19	GB1099790000	1	
7.	Bolt	C0C022510100	1	
8.	Shim	C0C022520100	1	
9.	Plug	C0C022530100	7	
10.	Switch	C0C020420100	1	
11.	Shim★	C0C022540100	2	
12.	Nipple★	C0C020430100	2	
13.	Filter, oil	C0C020440100	1	
14.	4x25 pin, lock	GB8797600000	1	
15.	Piston	C0C020450100	1	
16.	Piston	C0C022550100	1	
17.	Cup	C0C022560100	1	
18.	Packing, Copper★	C0C022570100	1	
19.	1/8" Plug★	QZB285100000	1	
20.	1/4" Plug★	QZB285200000	6	
21.	Control Assy.	C0C020460100	4	
--	Electric Controller	C0C020470100	1	
22.	Gasket	C0C022580100	1	
23.	M8x35 Bolt★	GB5782860000	2	
24.	M8x55 Bolt★	GB5782860000	2	
25.	M8x50 Bolt★	GB5782860000	2	
26.	φ 8 Shim	GB9387000000	6	
27.	Gasket★	C0C022590100	1	
28.	φ 9x1.9 O_ring★	GB1235760000	2	
29.	φ10 Shim★	GB5782860000	8	
30.	M10x1.25x55 Bolt★	GB5782860000	2	
31.	φ 8 Shim	GB9387000000	3	
32.	Inching valve Assy.	C0C020480100	1	
33.	Shim	C0C022600100	1	
34.	M8x25 Bolt★	GB5783860000	4	
35.	M8x50 Bolt★	GB5783860000	2	
36.	φ 8 Shim ★	GB9387000000	5	
37.	M8x12 Bolt★	GB5783860000	2	
38.	Bolt	C0C022610100	1	
39.	Cover, tor-con	C0C020490100	1	
40.	ZG1/8"Plug★	QZB285770000	1	
41.	Packing copper	C0C022620100	4	
42.	Bolt	C0C022630100	1	
43.	M10x1.25x40 Bolt★	GB5785860000	6	

★not serviced separately